

# E90D

MIDI EXCAVATORS  
D Series



# E90D MIDI EXCAVATOR SPECIFICATIONS

ENGINE		
Type	YANMAR 4TNV98CT - STAGE 5	
Max. Power (2300 rpm)	hp (kW)	73 [53.7]
Displacement	in <sup>3</sup> (cm <sup>3</sup> )	203 [3319]
Number of cylinders	n <sup>o</sup>	4
Cooling	Liquid	
Consumption	gal/h (l/h)	2.5 [9.3]
Alternator	V	12 [80A]
Battery	V (Ah)	12 [100]

HYDRAULIC SYSTEM		
Circuit type	eHPQ Rexroth system	
Pump type	1 electronic pump (EOC) with variable flow rate + 1 gear pump on engine PTO (FAN DRIVE)	
Pump displacement	in <sup>3</sup> (cm <sup>3</sup> )	6.1 [100]
Pump capacity	GPM (l/min)	50.7 [192]
Max. circuit calibration pressure	PSI (bar)	4206 [290]
Auxiliary system (max pressure):		
AUX 1 single or double effect with priority	GPM (l/min)	47.6 - 76.6 bar (180 - 290 bar)
AUX 2 double effect	GPM (l/min)	16.9/30.4 - 76.6 bar [64/115 - 290 bar]
AUX 3 double effect optional	GPM (l/min)	13.2 - 76.6 bar (50 - 290 bar)

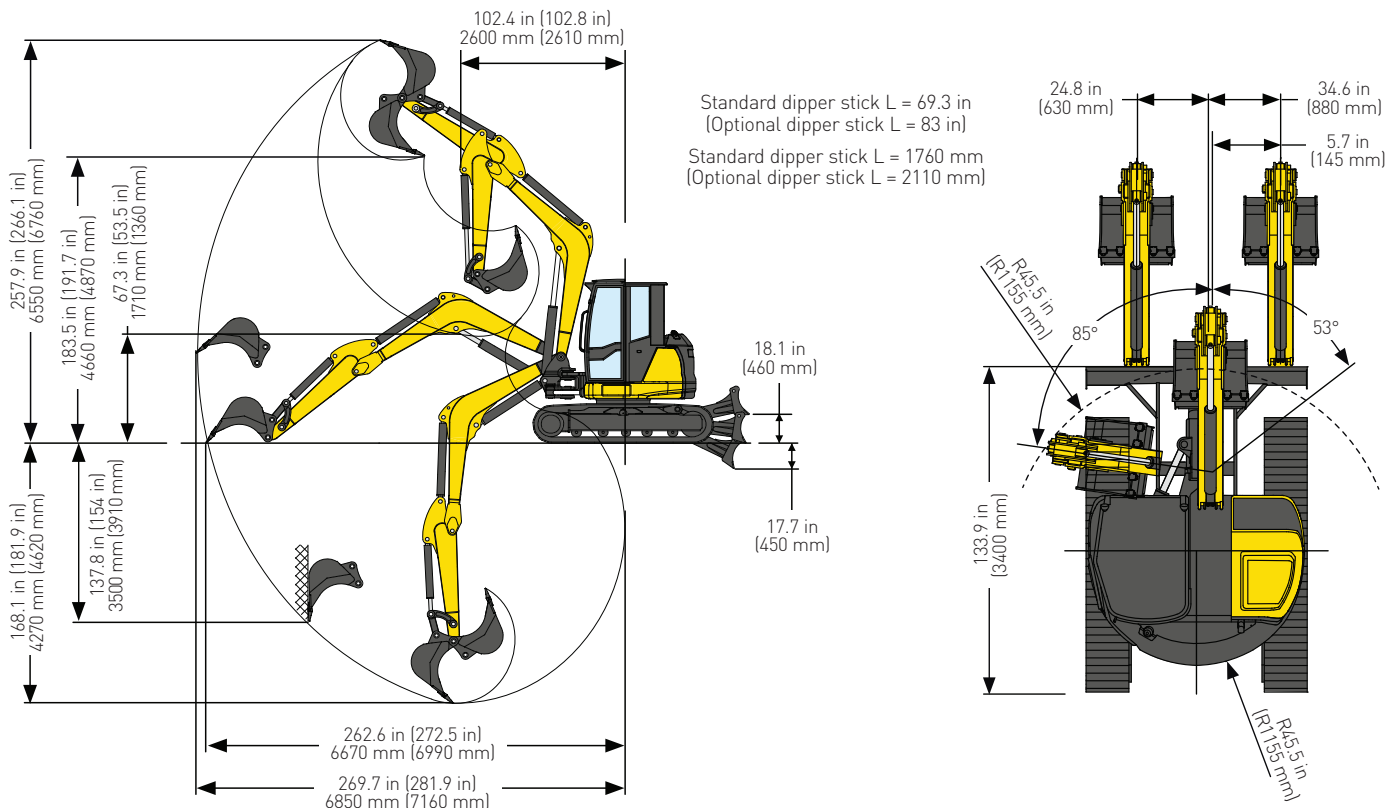
SLEWING & TRAVEL SPEED		
Traveling speed (AUTO TWO SPEED)	mph	1st : 0 ÷ 1.6 / 2nd : 0 ÷ 3.2
	(km/h)	[1st : 0 ÷ 2.6 / 2nd : 0 ÷ 5.2]
Slew speed	rpm	10

WEIGHTS		
Transport weight with cab	lb (kg)	19,401 [8800]
Operating weight with cab (with rubber tracks) ISO 6016	lb (kg)	20,305 [9210]

CONTROLS		
Boom, dipper stick, bucket and turret swing	2 joysticks	
Track movements (included counter rotation)	2 levers / joystick steering	
Dozer blade	Lever	
Priority auxiliary system with holding function		
AUX 1 (single or double effect)	Electro-proportional switch on right joystick	
Auxiliary system		
AUX 2 (double effect)	Electro-proportional switch on right joystick	
Low priority auxiliary system		
AUX 3 (double effect)	Electro-proportional switch on left joystick	
Boom swing	Electro-proportional switch on left joystick	

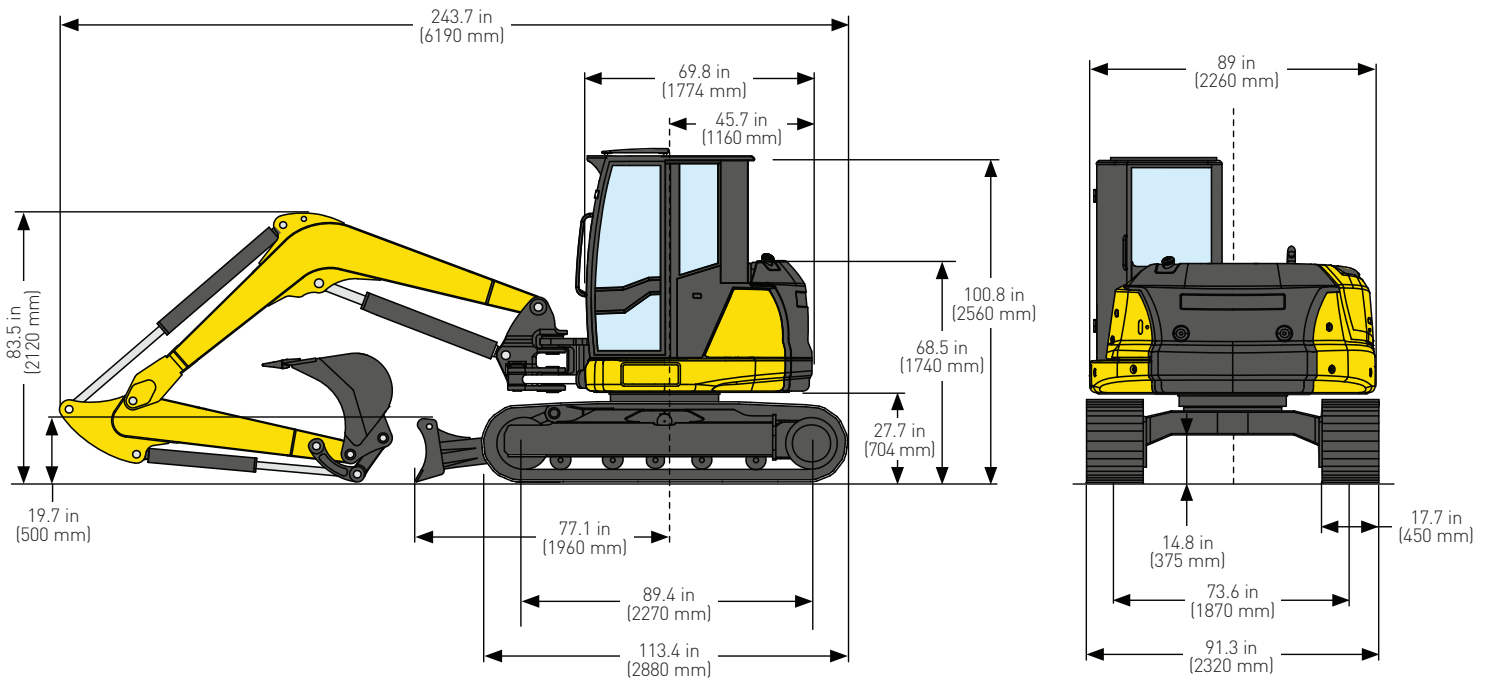
CIRCUIT AND COMPONENT CAPACITIES		
Fuel tank	gal (l)	27.7 [105]
Hydraulic oil tank	gal (l)	22.5 [85]
Hydraulic circuit capacity	gal (l)	31.7 [120]
Cooling system capacity	gal (l)	6.6 [25]
Engine oil	gal (l)	2.6 [10]

PERFORMANCE DATA		
Max. digging depth		
Standard arm — 69.3 in (1760 mm)	in (mm)	168.1 (4270)
Optional arm — 83 in (2110 mm)	in (mm)	181.9 (4620)
Max. dumping height		
Standard arm — 69.3 in (1760 mm)	in (mm)	183.5 (4660)
Optional arm — 83 in (2110 mm)	in (mm)	191.8 (4870)
Bucket breaking force ISO 6015	lbf (daN)	13,151 (5850)
Arm breaking force ISO 6015		
Standard arm — 69.3 in (1760 mm)	lbf (daN)	9779 (4350)
Optional arm — 83 in (2110 mm)	lbf (daN)	8655 (3850)
Traction force	lbf (daN)	17,895 (7960)
Ground bearing pressure with rubber tracks	psi (kg/cm <sup>2</sup> )	6.1 [0.43]
Max. slope [60%]	degrees	30



## GENERAL DIMENSIONS

Maximum width	in (mm)	91.3 (2320)
Total height	in (mm)	100.8 (2560)
Tracks width	in (mm)	17.7 (450)
Rear rotation radius	in (mm)	45.7 (1160)
Digging arm length standard/optional	in (mm)	69.3/82.7 (1760/2100)
Rollers number (for each side) (rubber tracks)	n°	5/1
Rollers number (for each side) (steel tracks)	n°	6/1



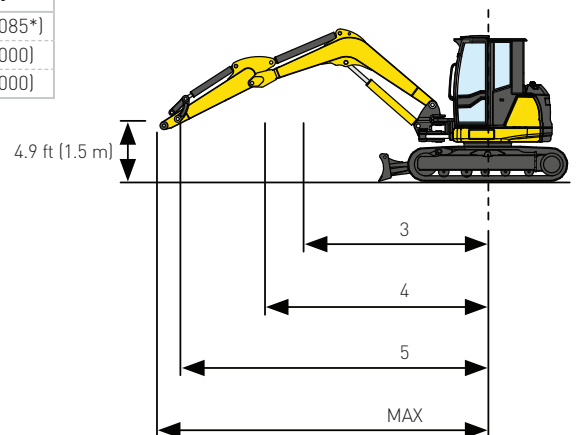
## LIFTING CAPACITY

Opening arm from the rotation's center ft (m)

Lifting capacity lb (kg) at 4.9 ft (1.5 m) height

	3	4	5	MAX
Frontal and lowered dozer blade	lb (kg) 9910* [4495*]	6713* [3045*]	5181* [2350*]	4597* [2085*]
Frontal and lifted dozer blade	lb (kg) 6195 [2810]	3880 [1760]	2888 [1310]	2205 [1000]
Lateral	lb (kg) 6305 [2860]	4145 [1880]	2910 [1320]	2205 [1000]

\*Indicates the hydraulic load limit.



The lifting capacity is based on the ISO 10567 and it does not exceed more than the 75% of static tipping load or more than the 87% of the hydraulic lifting capacity of the machine.

## Standard Equipment

---

- Tilttable Cab (ROPS/TOPS - FOPS Level 1)
- Automatic Air Conditioning and Heating
- Automatic Courtesy light
- DAB Radio, Bluetooth, USB, Aux-in (cab only)
- Electric socket on the roof for Rotating Beacon
- Windshield washer
- Rear-view mirrors (left, right, rear)
- Fabric seat with Pneumatic suspension and Heating
- Rear view camera
- Travel alarm
- Standard arm
- Boom Lift cylinder and dozer blade cylinder protection
- Standard counterweight
- Air Filter with drain valve and electric anti-clogging indicator
- Hydraulic Reversible Fan Drive with automatic functionality
- Electric fuel refill pump with auto-stop function
- 1<sup>st</sup> Auxiliary (AUX1) circuit with electro-proportional control
- 2<sup>nd</sup> Auxiliary (AUX2) circuit with electro-proportional control
- Digital cluster with AUX1, AUX2 and AUX3 flow settings
- Block valves on swing cylinder
- Electric diverter between Single effect and Double effect AUX1
- Pattern change
- Direct Drainage to tank
- 2 speed travel with Automatic Shift Down (from 2<sup>nd</sup> to 1<sup>st</sup> gear if more traction is required) and Shift-up
- Electronic Proportional RPM control with Auto-Idle
- Rubber tracks
- Standard Dozer Blade
- Operator manual
- Ignition key, which opens every machine lock
- Standard LED working lights (boom, right-front hood and cab-front)
- Battery disconnect switch
- Variable Volume Pump
- Standard Hydraulic oil and Lubricants
- New Holland FleetForce™ Telematics with 5-Year Advanced Subscription
- Extra LED working lights (cab-rear)

## Optional Equipment

---

- Anti-Theft
- Long arm
- Additional counterweight - Light
- Additional counterweight - Heavy
- 3<sup>rd</sup> Auxiliary (AUX3) circuit with electro-proportional control
- Block valves on dozer blade cylinder
- Object handling kit (block valves on boom and arm, lifting hook and load chart)
- Steel tracks 17.7 in (450 mm)
- Steel tracks with pad 17.7 in (450 mm)
- Steel tracks 23.6 in (600 mm)
- 6x1 (Angle/Tilt) Dozer Blade
- Dozer Float
- Rotating Beacon
- Bio Hydraulic oil and Lubricants
- Automatic Centralized Lubrication
- Constant flow provision (i.e. for Mulcher): max constant flow of 16.4 GPM at 2610 PSI (62 l/min at 180 bar)
- Hydraulic quick coupler provision (Single or Double Effect)
- Mechanical and Hydraulic quick couplers
- Buckets



New Holland Construction  
500 Diller Ave.  
New Holland, PA 17557

Learn more at [www.newholland.com](http://www.newholland.com)



Design, materials and/or specifications are subject to change without notice and without liability therefor. Specifications are applicable to units sold in Canada, the United States, its territories and possessions, and may vary outside these areas.

© 2024 CNH Industrial America LLC. All rights reserved. New Holland is a trademark registered in the United States and many other countries, owned by or licensed to CNH Industrial N.V., its subsidiaries or affiliates. Any trademarks referred to herein, in association with goods and/or services of companies, other than owned by or licensed to CNH Industrial N.V., its subsidiaries or affiliates, are the property of those respective companies.



Safety begins with a thorough understanding of the equipment. Always make sure you and your operators read the Operator's Manual before using the equipment. Pay close attention to all safety and operating decals and never operate machinery without all shields, protective devices and structures in place.

NHC71324611 • 0624 • OTP • PRINTED IN U.S.A.