

# ML22X

## SMALL ARTICULATED LOADER

### ELECTRIC



OPERATING WEIGHT	
Open cab	4,850 lb. (2200 kg)

OVERALL DIMENSIONS	
Overall height	90.6 in. (2300 mm)
Overall length:	
Without bucket	120.2 in. (3054 mm)
Machine width	48.4 in. (1230 mm)

LOADER PERFORMANCE SPECS	
Lifting height	96.5 in. (2450 mm)
Tipping load (ISO) – Straight	4,528 lb. (2054 kg)
Lifting capacity	4,850 lb. (2200 kg)

SERVICE CAPACITIES	
Hydraulic system	6.6 gal. (25 L)

ELECTRIC POWERTRAIN	
Nominal battery voltage	48 Volts
Battery chemistry	Lithium Ion
Battery capacity	24.9 kWh
On-board charger	240V 1 phase
Charging time 20 - 80%	5.2 hr
Off-board charger	480V 3 phase optional
Charging time 0 - 100%	1.7 hr
Charging time 20 - 80%	1.0 hr
Motor type	3 phase DC brushless (IP54)
Drive motor power	9 hp (6.5 kW)
Implement motor power	16 hp (12.0 kW)
Expected run time – dependent on application:	5 - 6 hr.

HYDRAULICS	
Control valve type	Open center
Pump type	Fixed gear
Working hydraulics:	
Total flow rate	9.2 gpm (35 L/min)
Operating pressure	2,500 psi (170 bar)
Working Hydraulics:	
Total flow rate	11.1 gpm (42 L/min)
Operating pressure	2,500 psi (170 bar)
Auxiliary 1:	
Max. flow rate	9.2 gpm (35 L/min)
Pressure	2,500 psi (170 bar)
Auxiliary 2 — optional:	
Max. flow rate	9.2 gpm (35 L/min)
Pressure	2,500 psi (170 bar)

DRIVETRAIN	
Transmission type	Electric
Differential type	Limited slip
Parking brake: Type	Drum
Max. travel speed:	
Turtle	3.7 mph (6 kph)
Mid	7.5 mph (12 kph)
Rabbit	11.2 mph (18 kph)

## Standard Equipment

### Operator Environment

- ROPS/FOPS safety roof
- Safety entry bar
- Key start
- Mechanical suspension vinyl seat
- Armrests
- Retractable seat belt
- Exterior mirrors

### Electric Powertrain

- Lithium-ion battery
- 240V on-board charger
- Battery management system
- Battery DC fast-charge connector

### Electrical

- 1 boom worklight
- 2 front cab work lights
- Anti-theft protection with access code

### Drivetrain

- Electric 4-wheel drive
- FNR control on joystick
- Limited slip axles
- Drum brakes

### Loader

- Standard lift path
- Mechanical self leveling
- Loader lift arm support strut
- SSL compatible attachment coupler, hydraulic powered
- Additional counterweights

### Hydraulics

- 3-spool main control valve
- 2x dual acting auxiliary hydraulics
- Attachment case drain return
- Biodegradable hydraulic fluid

### Other Standard Features

- Tow coupling
- Lifting eyes
- White-noise backup alarm
- Horn

### Warranty

- Base warranty coverage: 2-Year/1,000-Hour Full Machine Limited Warranty
- Electric power train warranty coverage: 3-year/3,000 Hour Limited Warranty

## Optional Equipment

### Operator Environment

- Fold-able open ROPS
- Enclosed cab with heat
- Air suspension seat

### Charging

- 480V 3 Phase DC fast charger

### Electrical

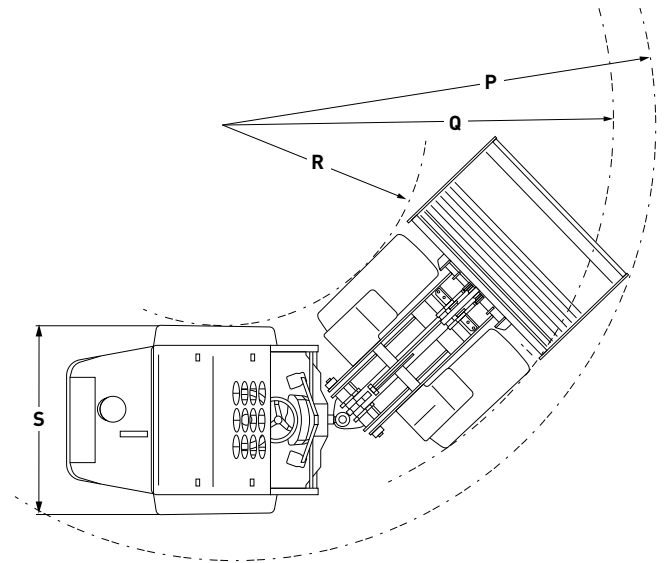
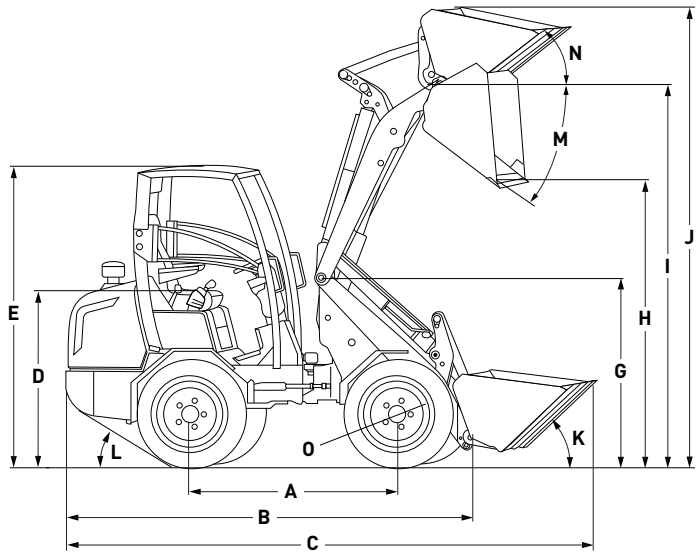
- 2 cab rear work lights
- 14-pin electrical auxiliary connection
- Rotating beacon light
- Strobe light

### Hydraulics

- Hydraulic boom suspension (ride control)

### Other

- English, Spanish, or French operator manual

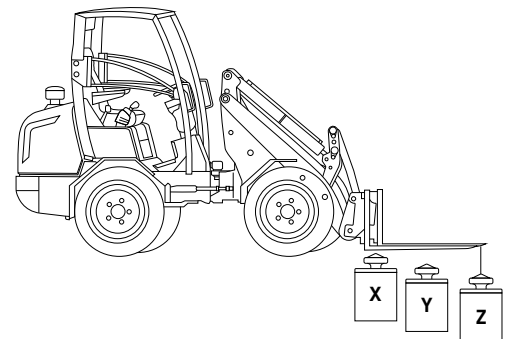
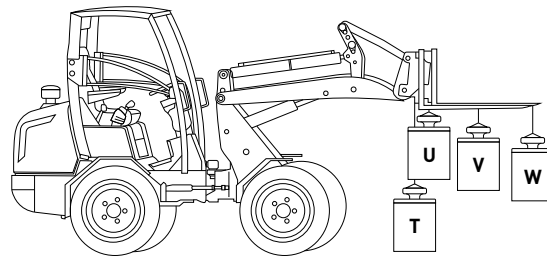


### DIMENSIONS

<b>A</b>	Wheelbase	62.2 in. (1580 mm)
<b>B</b>	Total length	120.2 in. (3054 mm)
<b>C</b>	Length with bucket	150.8 in. (3830 mm)
<b>D</b>	Seat height	49.4 in. (1256 mm)
<b>E</b>	Max. height with safety roof	90.6 in. (2300 mm)
<b>F</b>	Max. height with cabin	89.9 in. (2284 mm)
<b>G</b>	Height front frame	49.2 in. (1250 mm)
<b>H</b>	Max. dumping height	66.1 in. (1680 mm)
<b>I</b>	Lifting height	96.5 in. (2450 mm)
<b>J</b>	Height with bucket	119.7 in. (3040 mm)
<b>K</b>	Rollback angle on the ground	41°
<b>L</b>	Rollback angle at max. lift height	46°
<b>M</b>	Max. dumping angle	37°
<b>N</b>	Max. loading angle	29°
<b>O</b>	Outer size of tires	29.9 in. (760 mm)
<b>P</b>	Maximum radius external	42.5 in. (1080 mm)
<b>Q</b>	Turning radius on outer edge	104.3 in. (2650 mm)
<b>R</b>	Inner turning radius	92.2 in. (2342 mm)
<b>S</b>	Width on standard tires	48.4 in. (1230 mm)

### TIPPING LOADS

<b>T</b>	4,530 lb. (2054 kg)
<b>U</b>	3,480 lb. (1580 kg)
<b>V</b>	2,510 lb. (1140 kg)
<b>W</b>	1,870 lb. (850 kg)
<b>X</b>	5,900 lb. (2675 kg)
<b>Y</b>	3,510 lb. (1590 kg)
<b>Z</b>	2,470 lb. (1120 kg)



Line drawings are for illustrative purpose only and may not be exact representation of unit.



New Holland Construction  
500 Diller Ave.  
New Holland, PA 17557

Learn more at [www.newholland.com](http://www.newholland.com)



Design, materials and/or specifications are subject to change without notice and without liability therefor. Specifications are applicable to units sold in Canada, the United States, its territories and possessions, and may vary outside these areas.

© 2023 CNH Industrial America LLC. All rights reserved. New Holland is a trademark registered in the United States and many other countries, owned by or licensed to CNH Industrial N.V., its subsidiaries or affiliates. Any trademarks referred to herein, in association with goods and/or services of companies, other than owned by or licensed to CNH Industrial N.V., its subsidiaries or affiliates, are the property of those respective companies.



Safety begins with a thorough understanding of the equipment. Always make sure you and your operators read the Operator's Manual before using the equipment. Pay close attention to all safety and operating decals and never operate machinery without all shields, protective devices and structures in place.

NHC7130238304 • 0923 • OTP • PRINTED IN U.S.A.